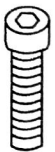





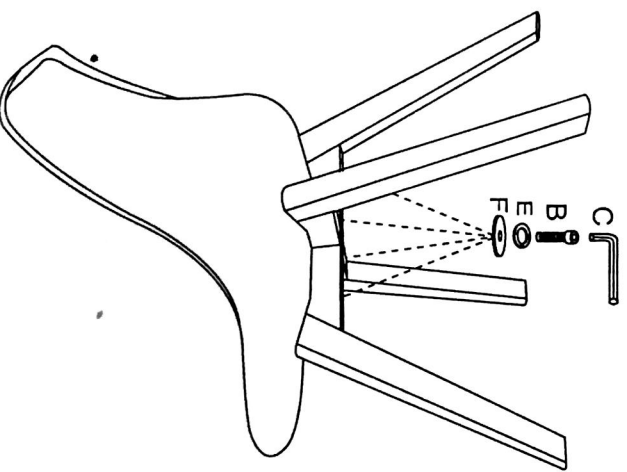
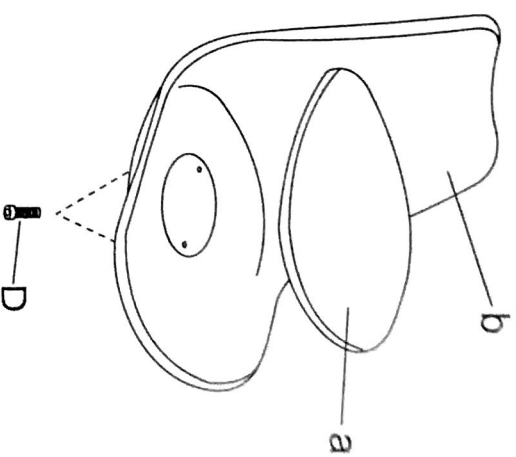
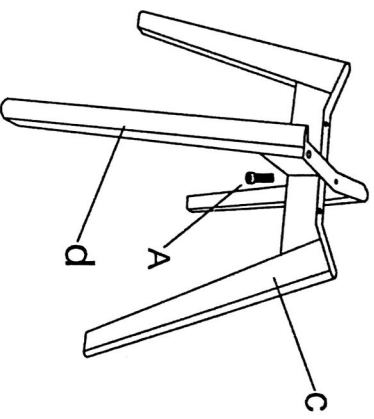
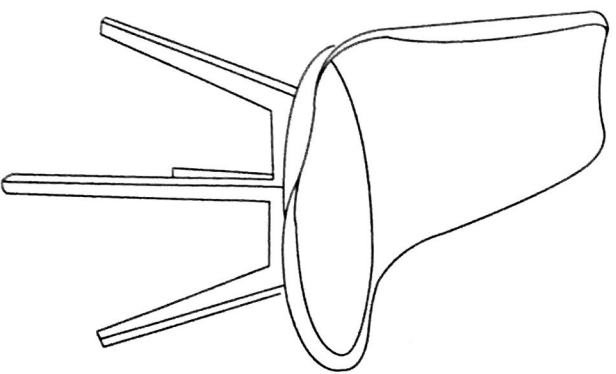
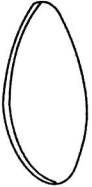
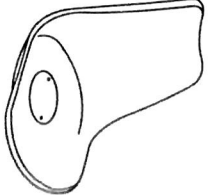
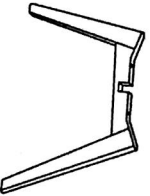
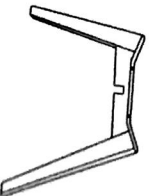


# Assembly Instruction

A		1
B		4
C		1
D		2
E		4
F		4



a		x1
b		x1
c		x1
d		x1